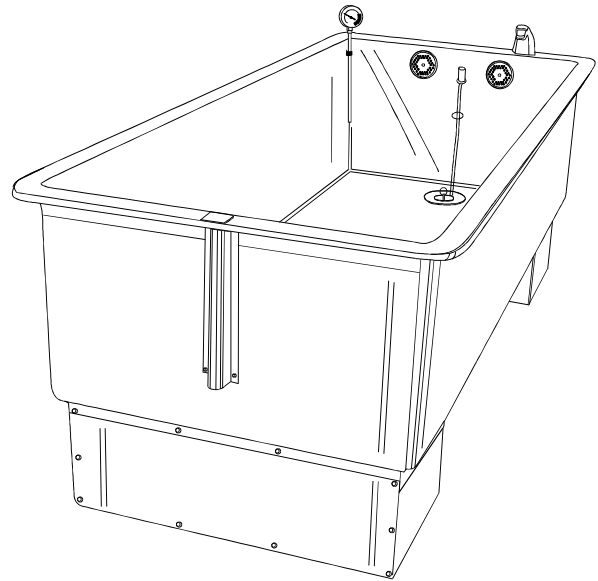


## Model 700 Tank

The Model 700 Tank is a stationary tank designed for burn treatment and bathing. The tank has fill and drain components and a thermometer to measure the temperature of the water. When equipped with an optional turbine, the tank becomes a whirlpool to give immersion hydrotherapy to the full body of a patient.



## Tank

The tank is made of 14 gauge Type 304 stainless steel which is formed, welded, and finished into a one-piece seamless unit. It has a 2-1/2" wide rim, vertical walls with embossed marks at 100-gallon intervals, a coved reinforced bottom that slopes toward a drain at the foot end, and two support pedestals.

Water fills the tank through an over-the-rim inlet to prevent backflow. Dual overflows on the tank wall prevent overflowing. Water empties from the tank by gravity through an oversized drain in the tank bottom. Drainage is controlled by a stopper with a pull chain.

## Thermometer

The thermometer is a sanitary, solid-stem bimetal type with a 3" dial. It is mounted inside the tank, and has a dial range of 40°F to 140°F (5°C to 60°C).

## Optional Accessories

- Mixing Valves & Consoles
- Patient Lifts & Carriers
- Tank & Turbine Products

Specifications

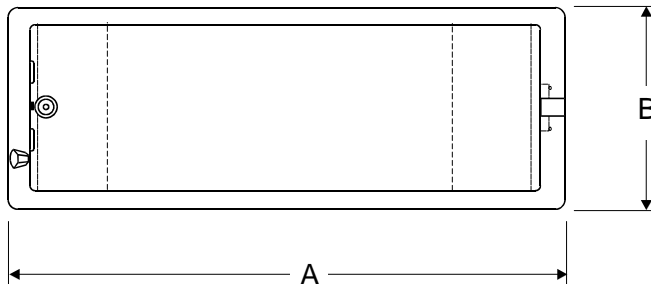
Mechanical

- A. Length ..... 95 in ..... 241 cm
- B. Width ..... 41 in ..... 104 cm
- C. Depth ..... 22 in ..... 56 cm
- D. Height ..... 34 in ..... 86 cm

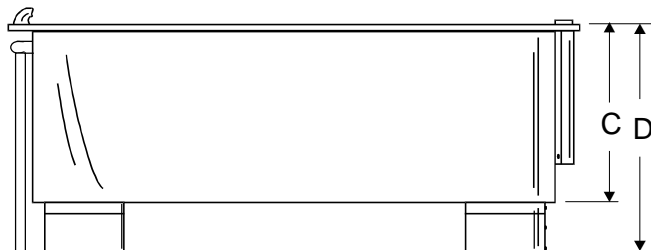
- Water Capacity ..... 260 gal ..... 984 L
- Weight (Filled) ..... 2550 lb ..... 1157 kg
- Floor Loading ..... 340 lb/ft<sup>2</sup> ..... 36 N/m<sup>2</sup>
- Drain Size ..... 3 in ..... 8 cm
- Overflow Size ..... 2 in ..... 5 cm

Specifications are rounded to whole numbers.  
 Contact Ferno Customer Service for detailed specifications.  
 Ferno reserves the right to change specifications without notice.

Top View



Side View



**Note:** Leave a 24 inch clearance around the tank.

Contact Customer Service at:

Ferno-Washington, Inc.  
 70 Weil Way  
 Wilmington, OH 45177-9371  
 Phone ..... 800.733.3766  
   937.382.1451  
 Fax ..... 937.382.1191