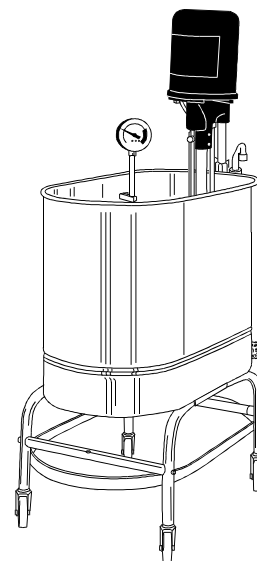


### Model 401 Whirlpool

The Model 401 Whirlpool is designed to give immersion hydrotherapy to the patient's arm. It features a mobile therapy tank with fill and drain components, a Model 100 Turbine to generate a therapeutic flow of water, and a thermometer to measure the temperature of the water. The whirlpool is U.L./C.U.L. Listed.



#### Tank

The tank is made of 18 gauge Type 304 stainless steel which is formed, welded, and finished into a seamless unit. It has a beaded rim, vertical walls with embossed marks at 10 gal intervals and a coved reinforced bottom. The tank is mounted on a carriage having 5 swivel casters.

The tank fills from a 5 ft fill hose with faucet adapter provided. The tank empties through a drain in the bottom. An electric pump under the tank pumps the water from the drain to a standpipe with a swing arm for discharge into a sink. An auxiliary valve directs the water into a floor drain.

#### Thermometer

The thermometer is a sanitary, solid-stem bimetal type with a 3" dial. It is mounted inside the tank, and has a dial range of 40°F to 140°F (5°C to 60°C).

#### Turbine

The turbine is powered by a 1/3 hp, 3450 rpm electric motor having sealed bearings and thermal overload protection. The motor is connected by a stainless steel shaft to a nylon impeller. The shaft runs inside of a support tube, and is stabilized by a water-lubricated bearing.

An aerator tube injects air into the output stream from the impeller. The shaft-support tube and the aerator tube each have a portal for disinfecting the internal surfaces of the impeller and the aerator.

A manual valve on the impeller-housing inlet controls the output flow from 0 to 45 gal/min. A manual valve on the aerator tube controls how much air is injected into the output stream.

The turbine mounts on a gas cylinder telescoping post at one end of the tank. A friction clamp on the post controls vertical positioning. A twist-lock plug on the turbine cord plugs into a matching receptacle in the mount. A plug on the whirlpool supply cord plugs into a receptacle provided by the user.

#### Optional Accessories

- Mixing Valves & Consoles
- Patient Chairs
- Patient Lifts & Carriers
- Patient Seats & Supports
- Tank & Turbine Products
- GFCI Plug

## Specifications

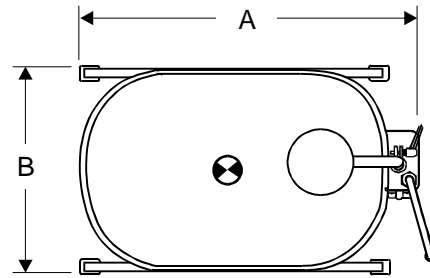
### Mechanical

- A. Length ..... 28 in ..... 71 cm
- B. Width ..... 16 in ..... 41 cm
- C. Depth ..... 16 in ..... 41 cm
- D. Height ..... 34 in ..... 86 cm
- E. Height w/Turbine
  - min ..... 49 in ..... 124 cm
  - max ..... 52 in ..... 132 cm
- Water Capacity ..... 22 gal ..... 83 L
- Weight (Filled) ..... 323 lb ..... 147 kg
- Weight (Empty) ..... 140 lb ..... 64 kg
- Drain Size ..... 3/4 in ..... 2 cm

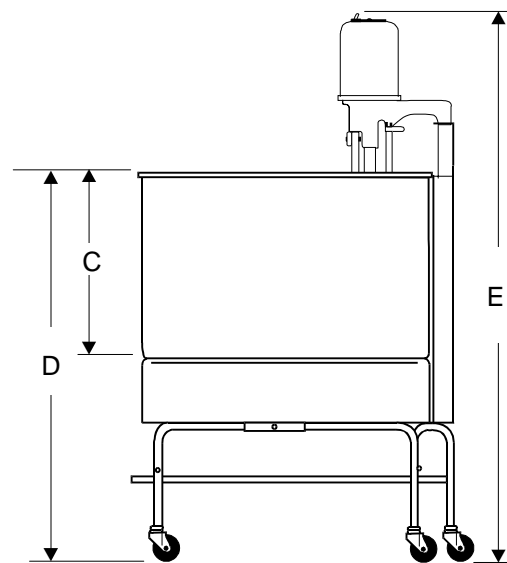
### Electrical

<b>115V 60Hz Single-phase</b>	
Rating at Full Load	9.7 Amp 860 Watt
Supply Cord Plug	NEMA 5-15P
Supply Cord GFCI	No
Supply Cord Length	10
Supply Cord Type	SO, SJO, or SJT AWG 16/3
<b>230V 50/60Hz Single-phase</b>	
Rating at Full Load	4.9 Amp 860 Watt
Supply Cord Plug	NEMA 6-15P
Supply Cord GFCI	No
Supply Cord Length	10
Supply Cord Type	SO, SJO, or SJT AWG 16/3
Only plug the supply cord into a hospital-grade, voltage-matched receptacle that is properly grounded and polarized.	

### Top View



### Side View



**Note:** Leave a 24 inch clearance around the turbine.

### Contact Customer Service at:

Ferno-Washington, Inc.  
 70 Weil Way  
 Wilmington, OH 45177-9371  
 Phone ..... 800.733.3766  
                                   937.382.1451  
 Fax ..... 937.382.1191

Specifications are rounded to whole numbers.

Contact Ferno Customer Service for detailed specifications.

Ferno reserves the right to change specifications without notice.