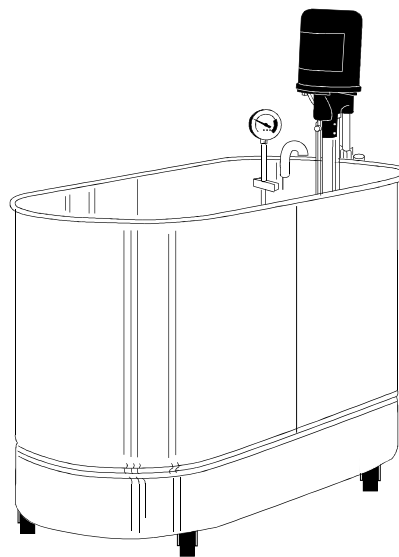


### Model 165 Whirlpool

The Model 165 Whirlpool is designed to give immersion hydrotherapy to the arms, legs, hips, or back of a patient. It features a mobile therapy tank with fill and drain components, a Model 100 Turbine to generate a therapeutic flow of water, and a thermometer to measure the temperature of the water. The whirlpool is U.L./C.U.L. Listed.



#### Tank

The tank is made of 18 gauge Type 304 stainless steel which is formed, welded, and finished into a seamless unit. It has a beaded rim, vertical walls, a coved reinforced bottom, and 4 ball-bearing swivel casters.

The tank fills from a 5 ft fill hose with faucet adapter provided. The tank empties through a drain in the bottom. An electric pump under the tank pumps the water from the drain to a 3 ft drain hose with sink adapter for discharge into a sink.

#### Thermometer

The thermometer is a sanitary solid-stem bimetal type, with a 3" dial reading from 40 to 140 degrees F (5 to 60 degrees C). It is mounted inside the tank.

#### Turbine

The turbine is powered by a 1/3 hp, 3450 rpm electric motor having sealed bearings and thermal overload protection. The motor is connected by a stainless steel shaft to a nylon impeller. The shaft runs inside of a support tube, and is stabilized by a water-lubricated bearing.

An aerator tube injects air into the output stream from the impeller. The shaft-support tube and the aerator tube each have a portal for disinfecting the internal surfaces of the impeller and the aerator.

A manual valve on the impeller-housing inlet controls the output flow from 0 to 45 gal/min. A manual valve on the aerator tube controls how much air is injected into the output stream.

The turbine mounts on a gas cylinder telescoping post at one end of the tank. A friction clamp on the post controls vertical positioning. A twist-lock plug on the turbine cord plugs into a matching receptacle in the tank base. A plug on the whirlpool supply cord plugs into a receptacle provided by the user.

#### Optional Accessories

- Mixing Valves & Consoles
- Patient Chairs
- Patient Lifts & Carriers
- Patient Seats & Supports
- Tank & Turbine Products
- GFCI Plug

