

PROTEAM™ MODULAR TAPING STATIONS

by HAUSMANN

PLANNING GUIDE

Customized to fit your space and requirements. Fast track delivery.

A. Model A952X 2 Seat Modular Taping Station – 6 Ft. Long

MODEL	HEIGHT	DEPTH
A9520*	36"	36"
A9521	36"	42"
A9522	36"	48"
A9523*	42"	36"
A9524	42"	42"
A9525	42"	48"

*A926 not available on 36" depth.



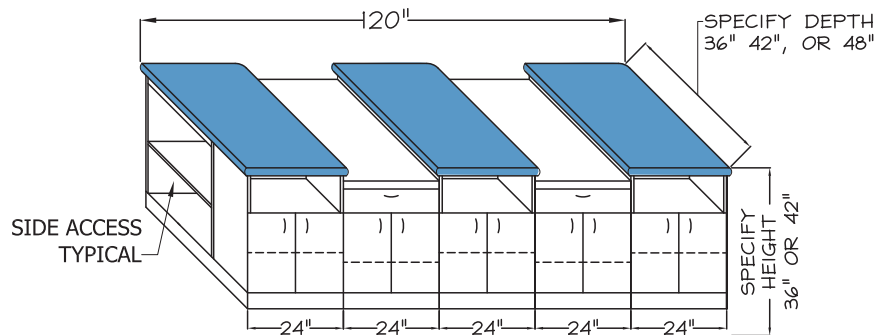
A. Model A9520

B. Model A953X 3 Seat Modular Taping Station – 10 Ft. Long

MODEL	HEIGHT	DEPTH
A9530*	36"	36"
A9531	36"	42"
A9532	36"	48"
A9533*	42"	36"
A9534	42"	42"
A9535	42"	48"

*A926 not available on 36" depth.

B. Series A953X



C. Model A954X 4 Seat Modular Taping Station – 14 Ft. Long

MODEL	HEIGHT	DEPTH
A9540*	36"	36"
A9541	36"	42"
A9542	36"	48"
A9543*	42"	36"
A9544	42"	42"
A9545	42"	48"

*A926 not available on 36" depth.

C. Model A9540



Add modules to increase length of station to fit any size wall or room space.

PROTEAM by Hausmann

130 Union Street
Northvale NJ 07647

P: 201-767-0255

1-888-HAUSMANN

www.proteamtables.com

NOTE: All dimensions shown are nominal. Please define exact length if wall to wall.

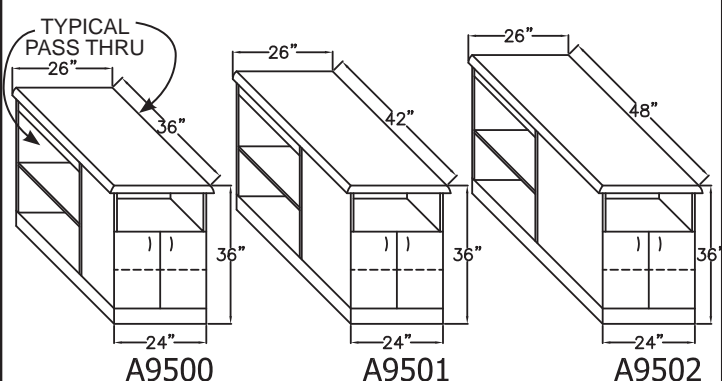
rev 021814
©2009-2014 PROTEAM BY HAUSMANN

PROTEAM™

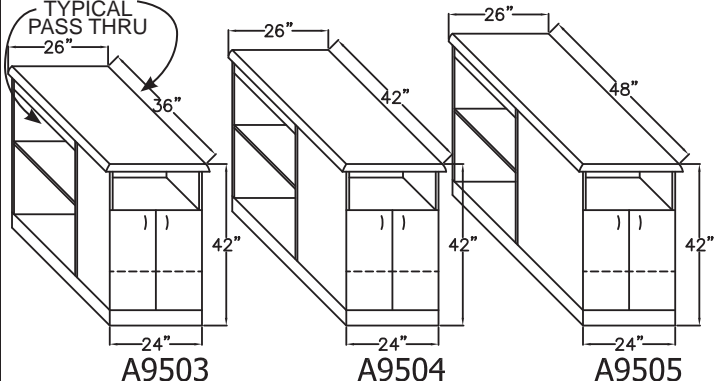
by HAUSMANN

TAPING MODULES - FRONT AND DUAL SIDE ACCESS - 2" UPHOLSTERED TOP

36" HIGH - FINISHED BACKS

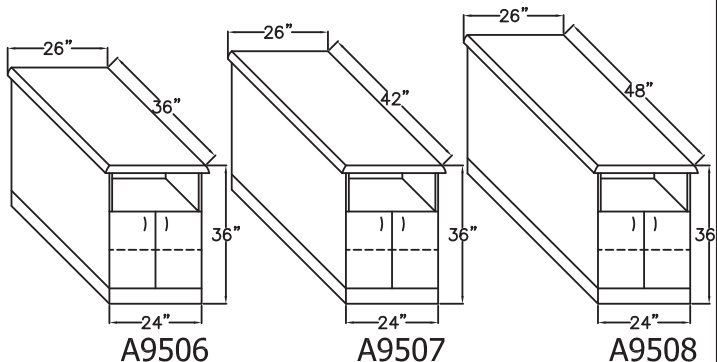


42" HIGH - FINISHED BACKS

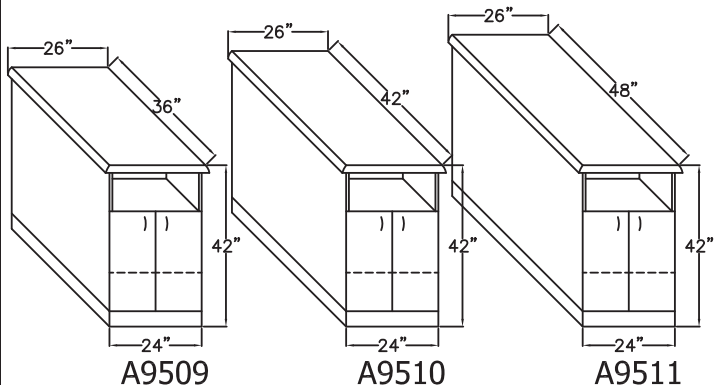


TAPING MODULES - FRONT ACCESS FULL DEPTH STORAGE - 2" UPHOLSTERED TOPS

36" HIGH - FINISHED BACKS



42" HIGH - FINISHED BACKS

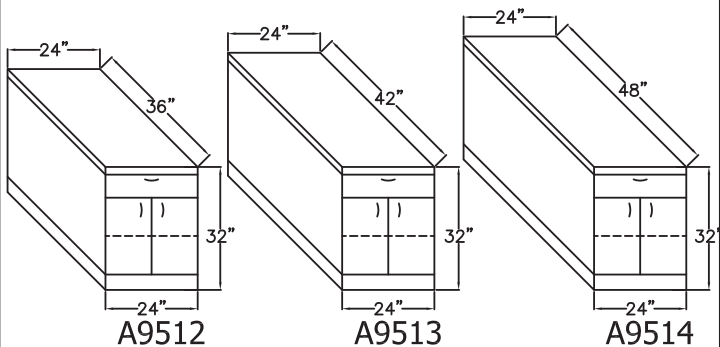


NOTE: You can "Mix & Match" any module on this page to achieve different overall height levels. For example, you can have a 36" high taping module and a 42" high taping module in the same taping station. Please specify on P.O.

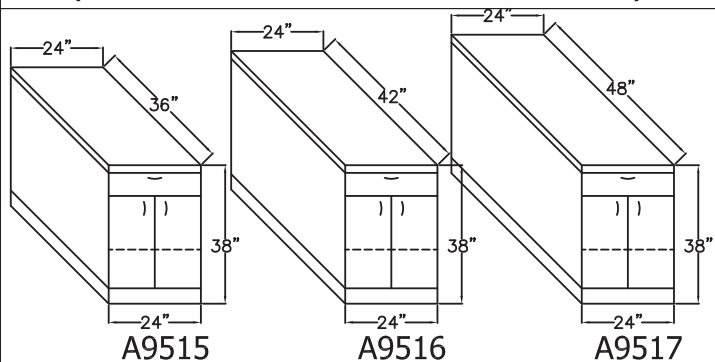
STORAGE MODULES - FRONT ACCESS FULL DEPTH STORAGE - 1" LAMINATE TOP

NOTE: Width can be reduced to 18" if needed - Specify 18" W on P.O.

32" HIGH - FINISHED BACKS (FOR USE WITH 36" H TAPING STATION)



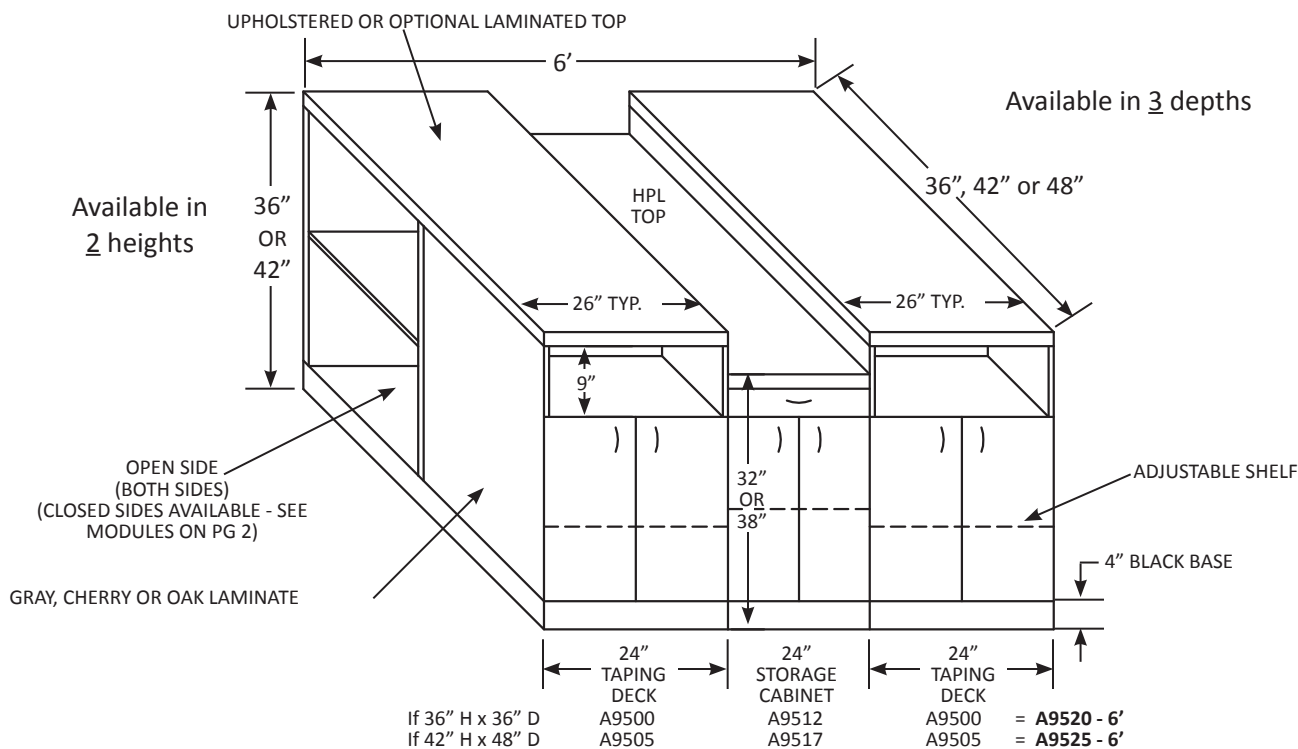
38" HIGH - FINISHED BACKS (FOR USE WITH 42" H TAPING STATION)



NOTE: All dimensions shown are nominal. Please define exact length if wall to wall.

Series A952X 2 Seat Modular Taping Station

Shipped as (3) Individual Cabinets



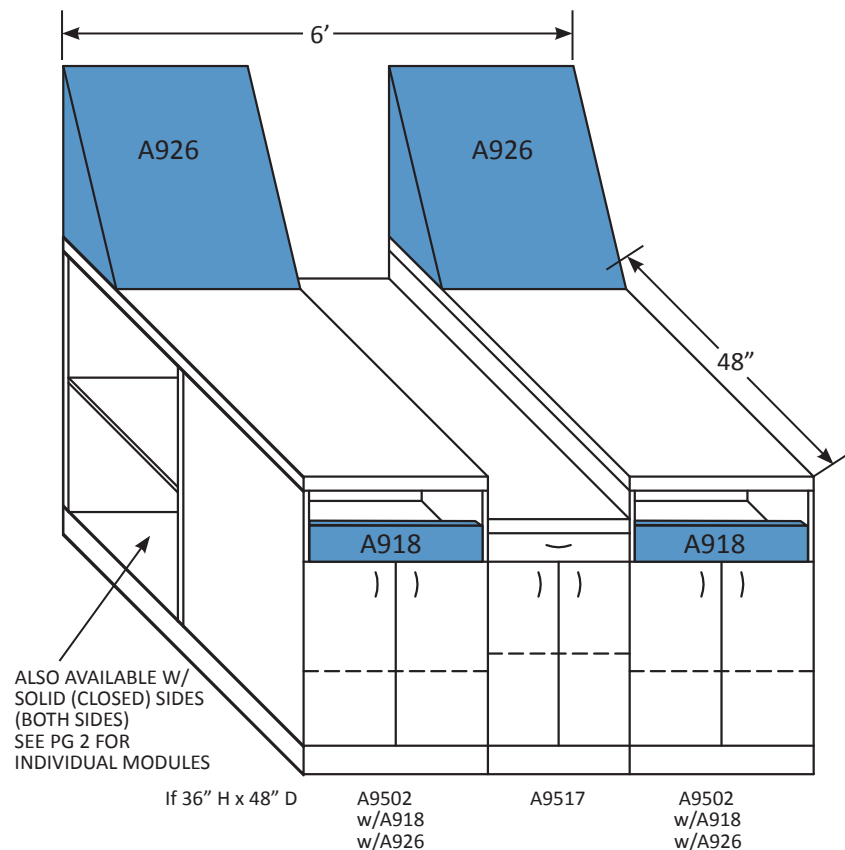
Model A952X

Shown with option:

(2) A926 Fixed Backrests

(2) A918 Full Extension Pull Outs

2 Seat Taping Station with, and without A926 Fixed Backrest (48" deep with backrest). Also available in 42" depth. (**Not** available in 36" depth.)

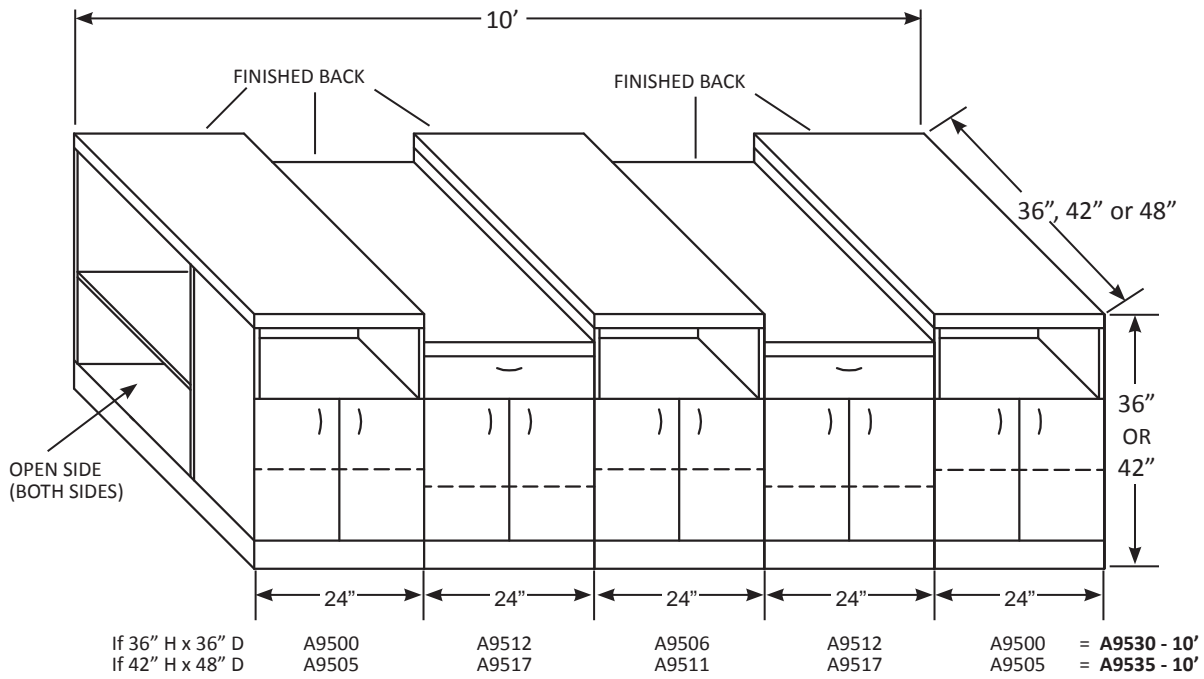


<p>A914</p> <p>Extra (1) Drawer</p>	<p>A918</p> <p>Full Extension Pull-Out</p>
<p>A943</p> <p>Hinged Side Access Door</p>	<p>A944*</p> <p>Full Height Doors</p>
<p>A9250</p> <p>Velcro Wall Pad 24"H x 24"W</p> <p>(2) Shown mounted to wall</p>	<p>A923*</p> <p>(3) Drawers (in lieu of doors)</p>
<p>A924*</p> <p>Waste Hamper and Cut Out</p>	<p>A926*</p> <p>Fixed 75° Upholstered Back 26"H x 10"D</p> <p>Only available on 42"D or 48"D units</p>
<p>A941*</p> <p>Laminate Top with 3mm edging</p>	<p>#A945 Lock</p> <p>#A946 Lock/Bolt</p> <p>A947 4" Satin Finish Wire Pull</p>

*FACTORY INSTALLED

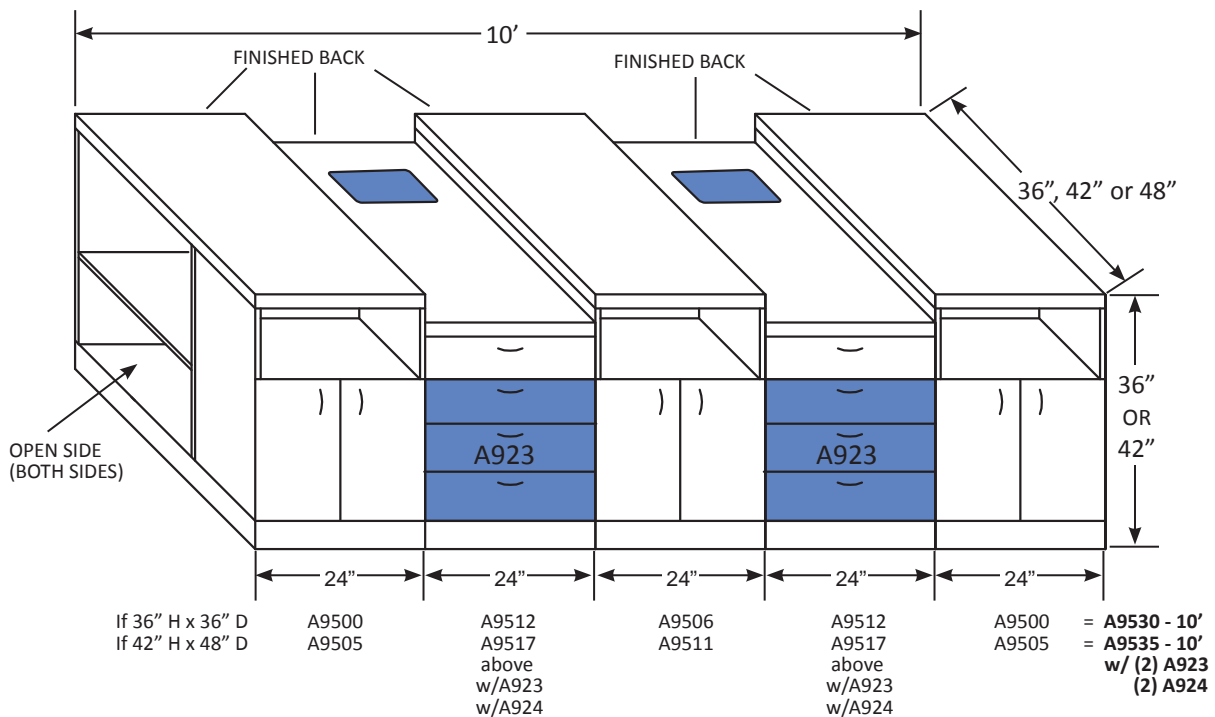
NOTE: All dimensions shown are nominal. Please define the exact length if wall to wall.

Series A953X 3 Seat Taping Station



Series A953X 3 Seat Taping Station

Shown with option:
 (2) A923 Drawers
 (2) A924 Waste Hampers

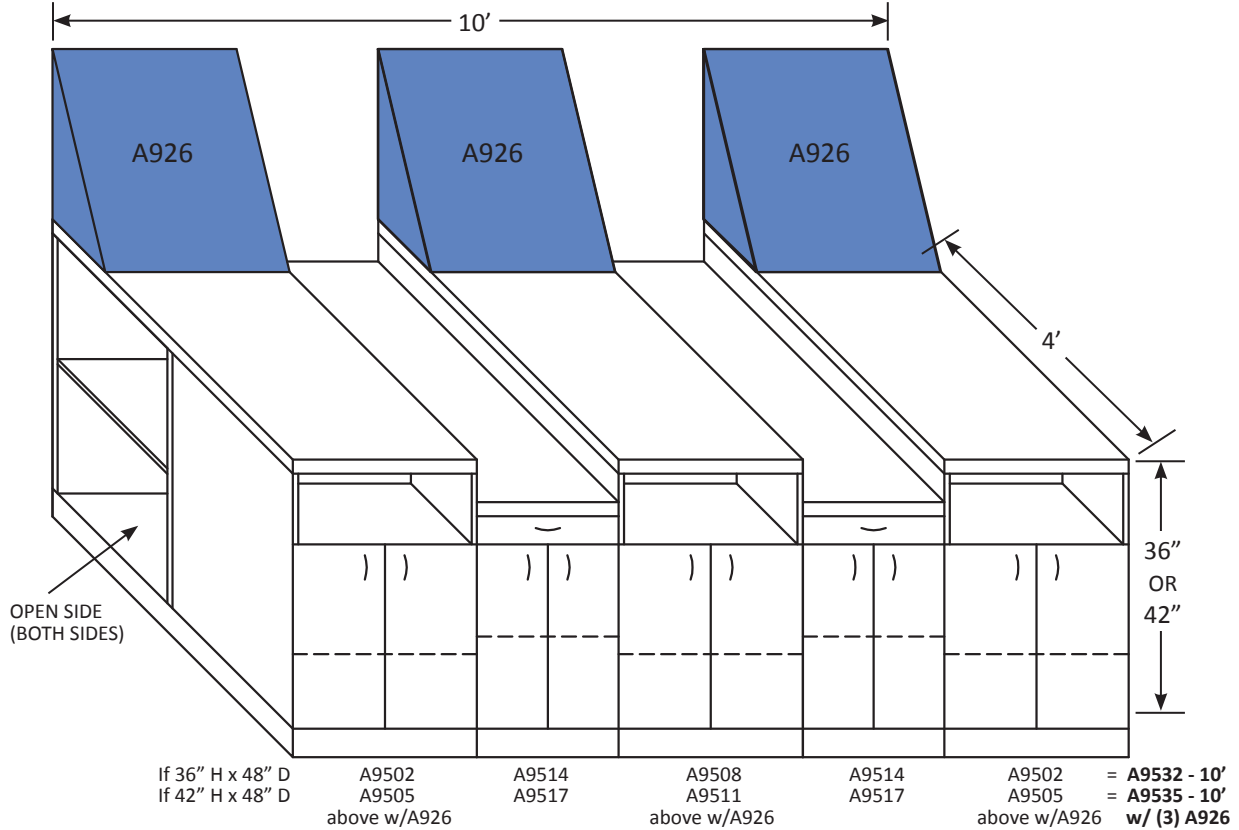


NOTE: All dimensions shown are nominal. Please define exact length if wall to wall.

Series A953X 3 Seat Taping Station

Shown with option:

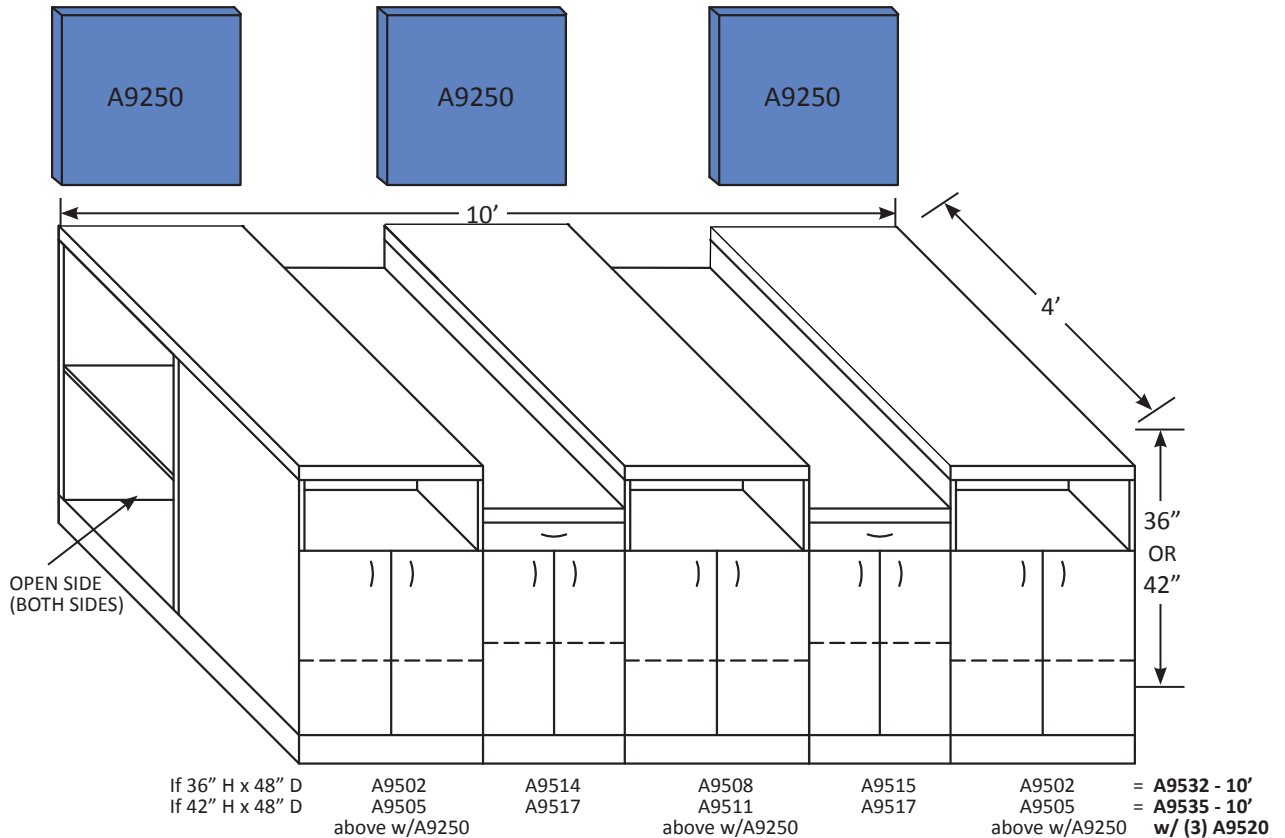
(3) A926 Fixed Backrests



Series A953X 3 Seat Taping Station

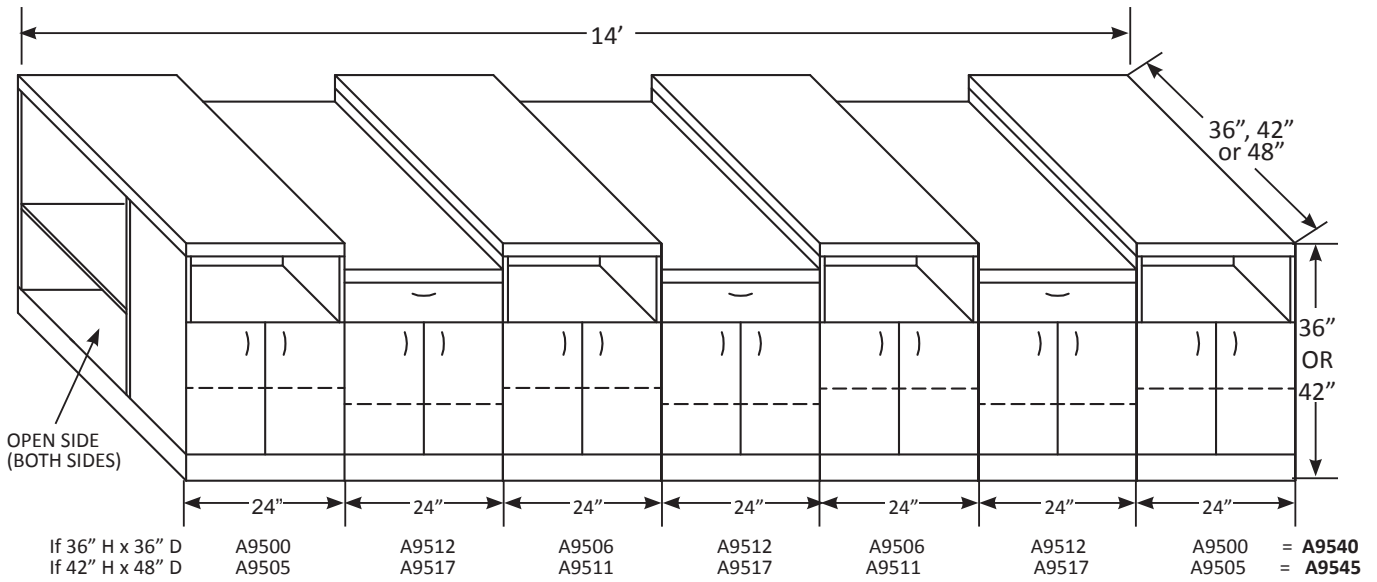
Shown with option:

(3) A9520 Velcro Wallpads



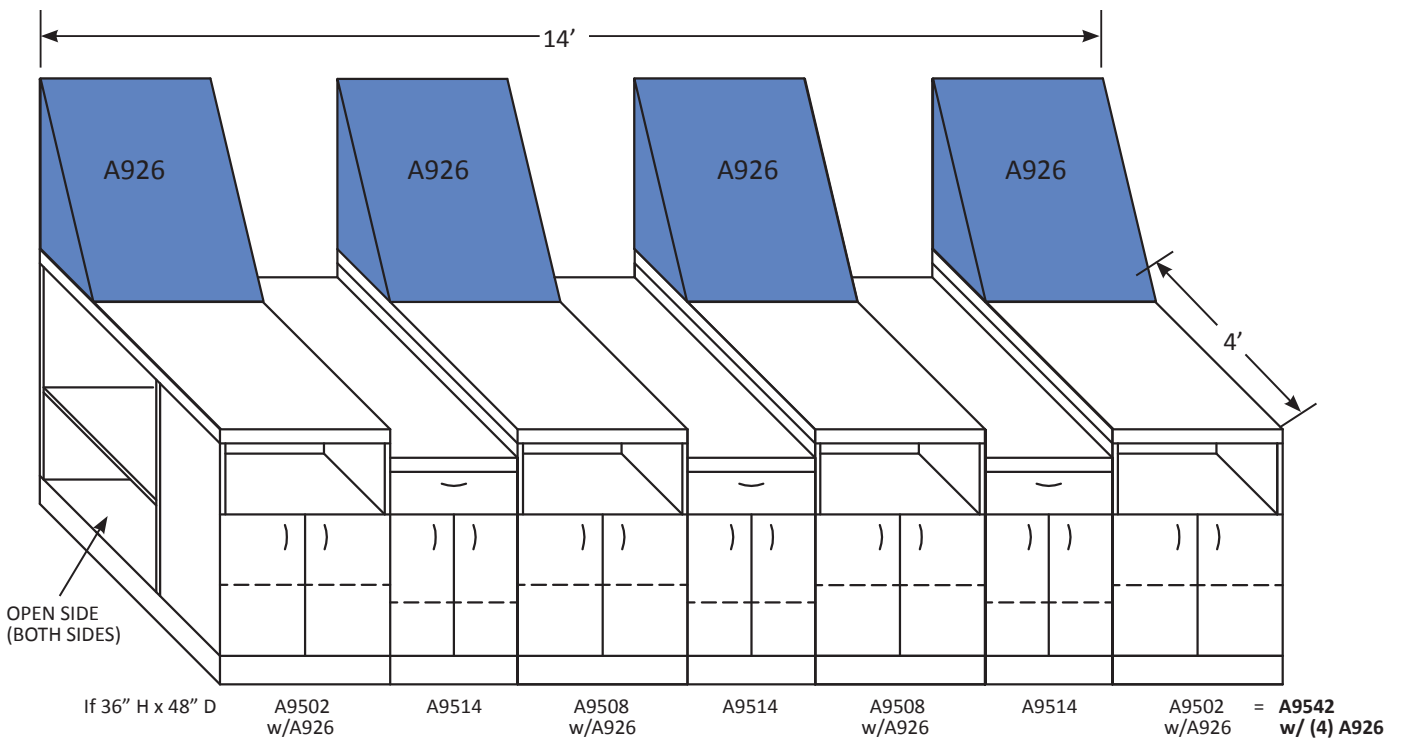
NOTE: All dimensions shown are nominal. Please define exact length if wall to wall.

Series A954X 4 Seat Taping Station



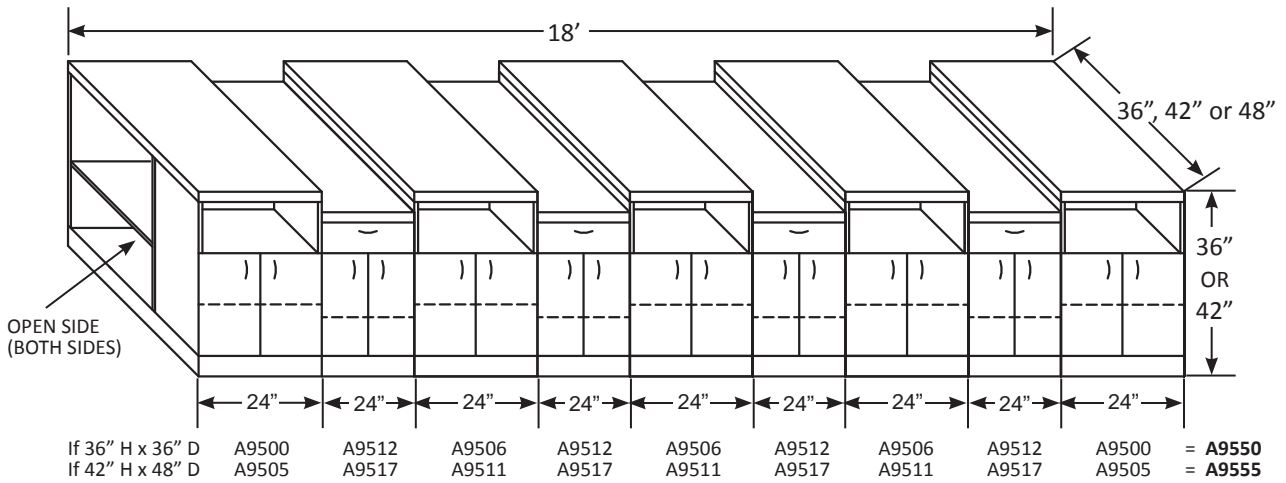
Series A954X 4 Seat Taping Station

Shown with option:
(4) A926 Fixed Backrests



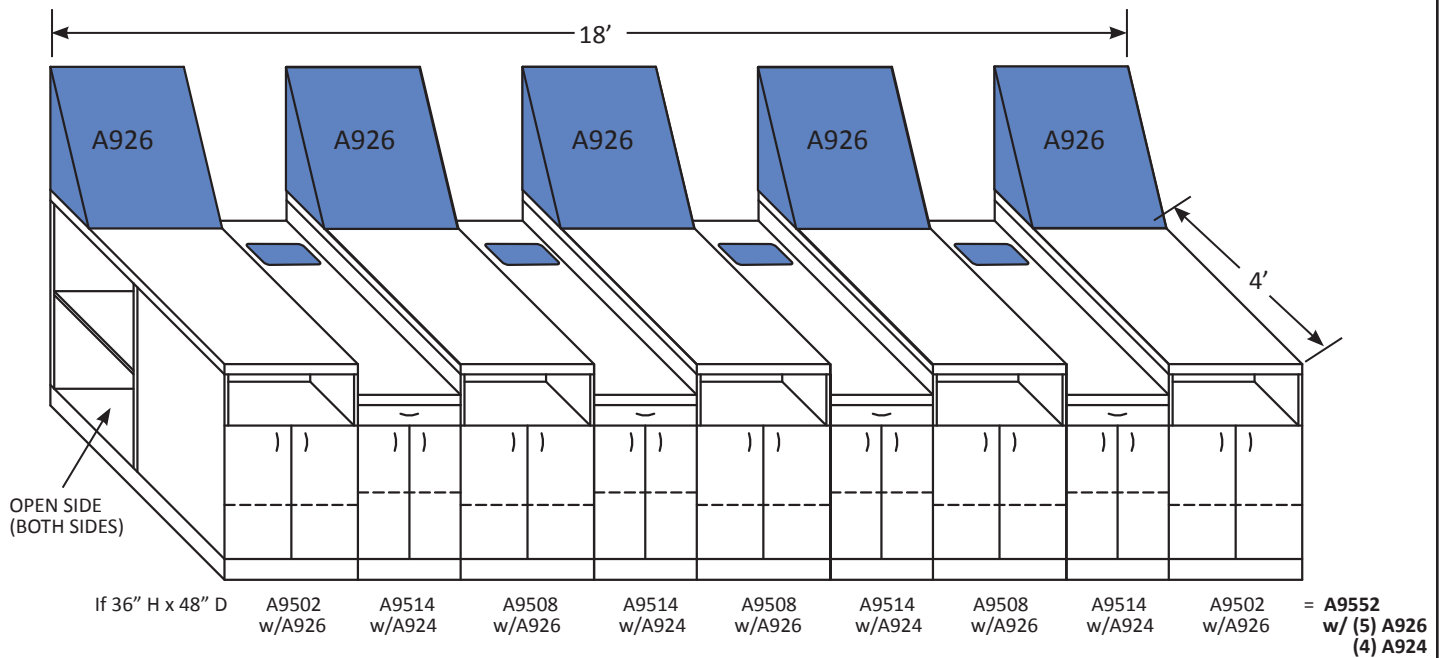
Also available in 42" depth. (Not in 36" depth.)

Series A955X 5 Seat Taping Station

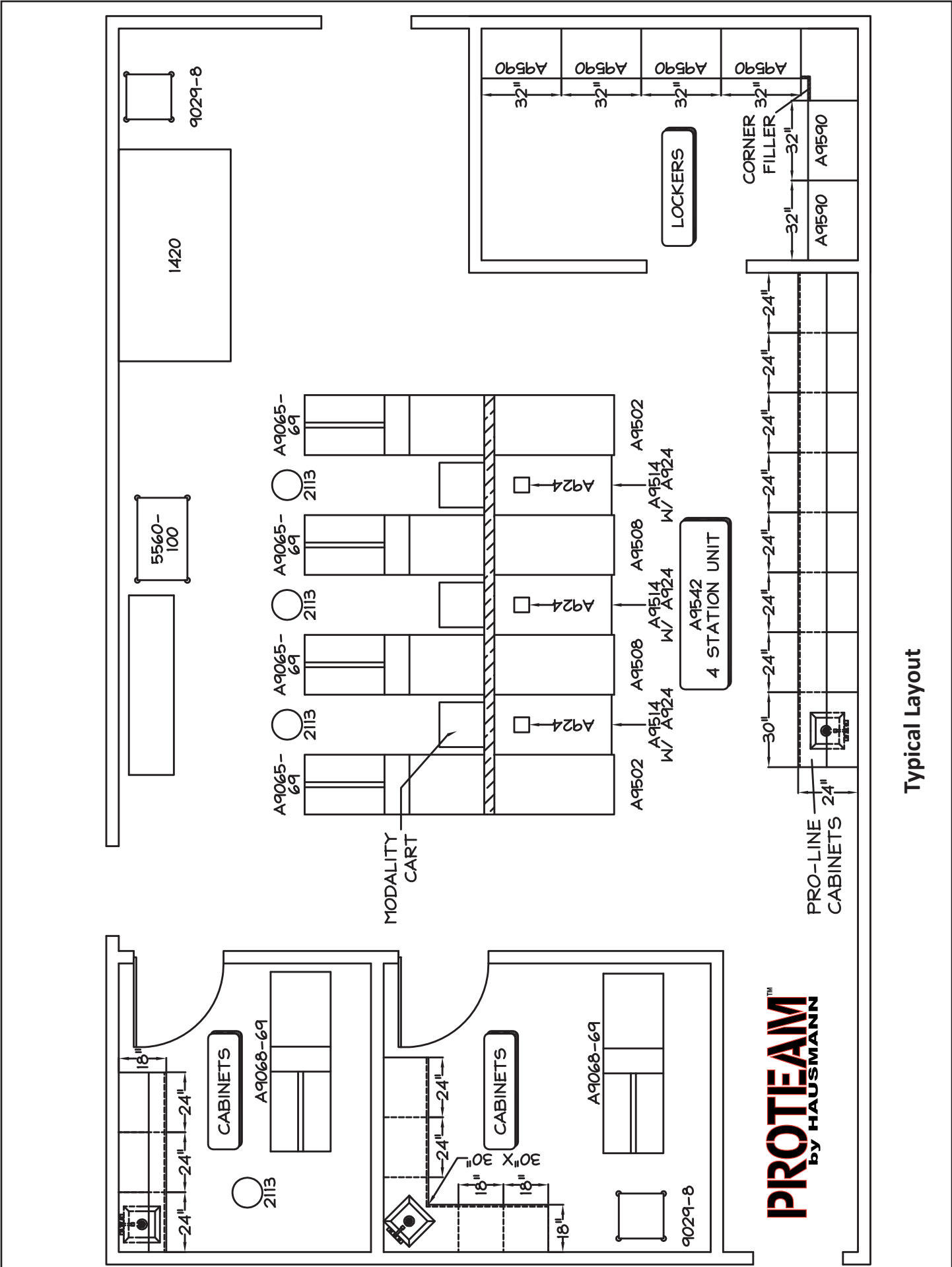


Series A955X 5 Seat Taping Station

Shown with option:
 (5) A926 Fixed Backrests
 (4) A924 Waste Hampers



Also available in 42" depth. (Not in 36" depth.)

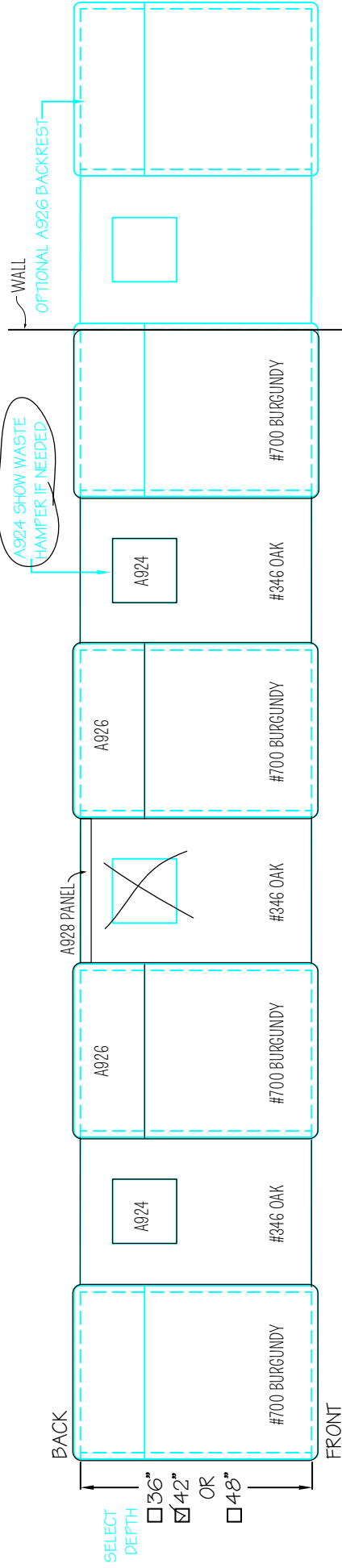


Typical Layout

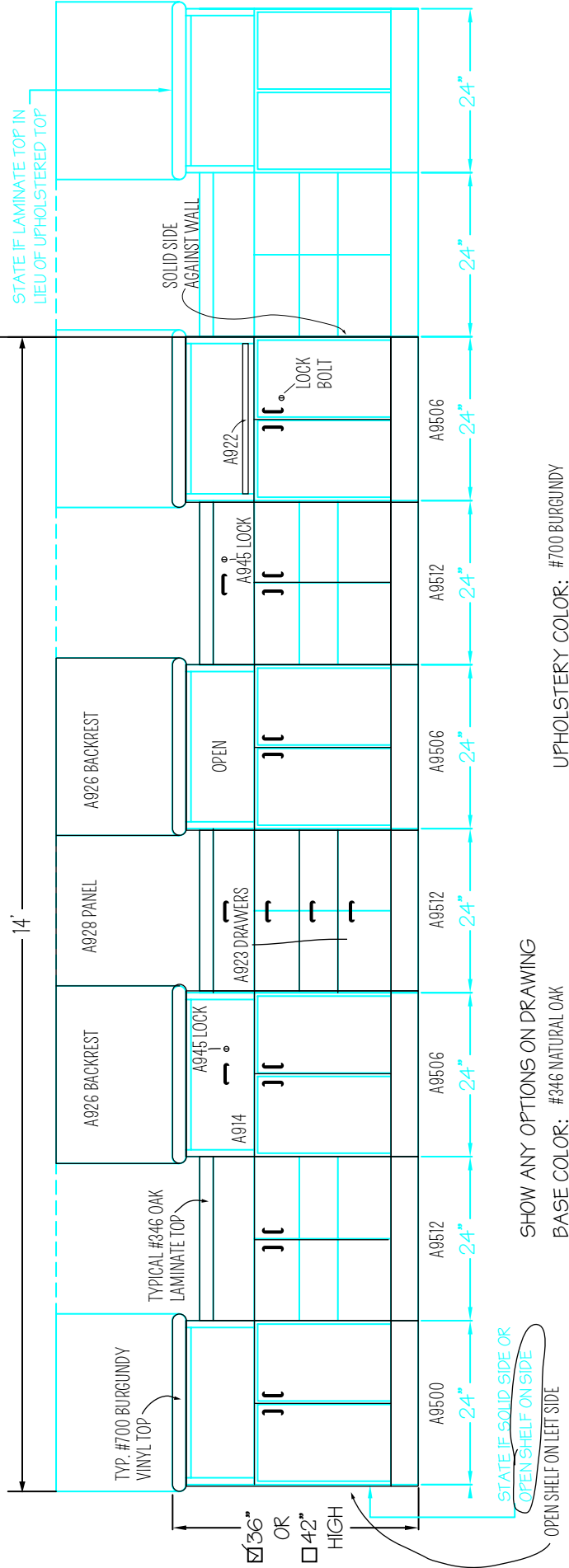
PROTEAM
by HAUSMANN

TOP VIEW:

GUIDE FOR USING LAYOUT SHEETS



FRONT ELEVATION VIEW:



SHOW ANY OPTIONS ON DRAWING

BASE COLOR: #346 NATURAL OAK

UPHOLSTERY COLOR: #700 BURGUNDY

DEALER:

FACILITY NAME:

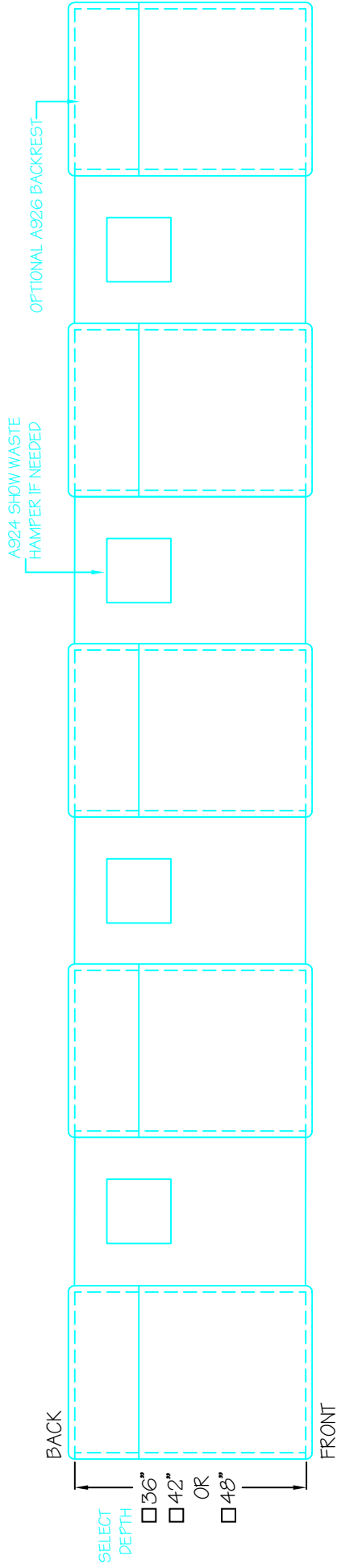
PREPARED BY:

DATE:

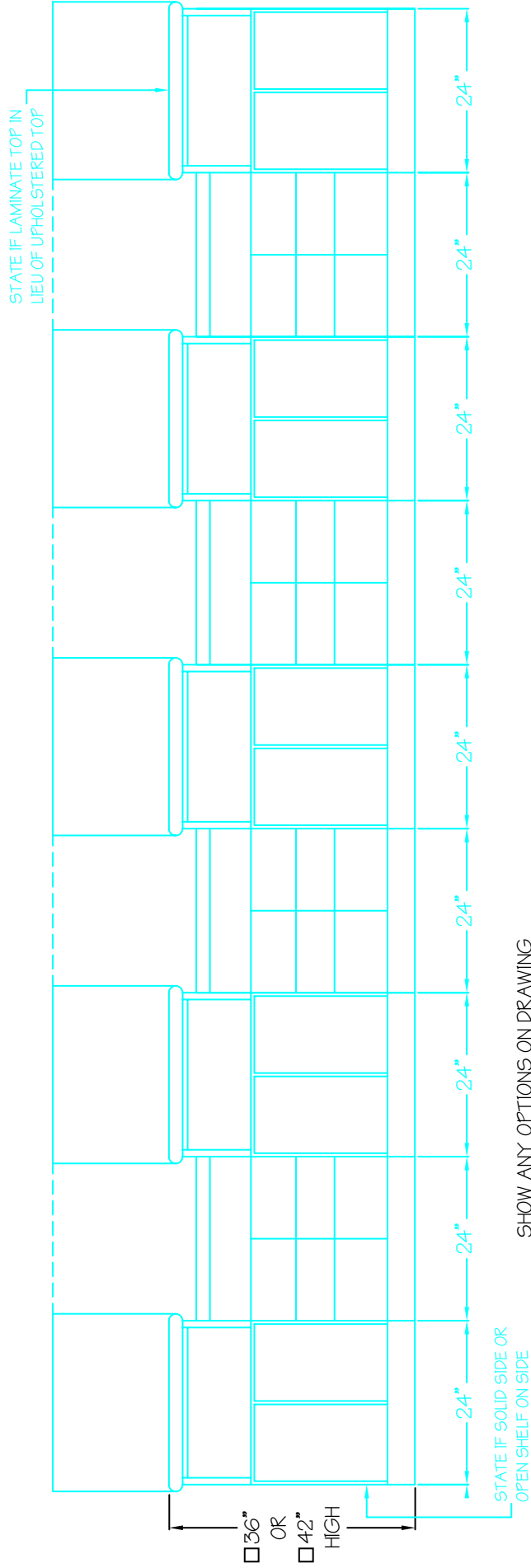
PROTEAM
by HAUSMANN

DWG#:

TOP VIEW:



FRONT ELEVATION VIEW:



SHOW ANY OPTIONS ON DRAWING

BASE COLOR: _____ UPHOLSTERY COLOR: _____

DEALER:

FACILITY NAME:

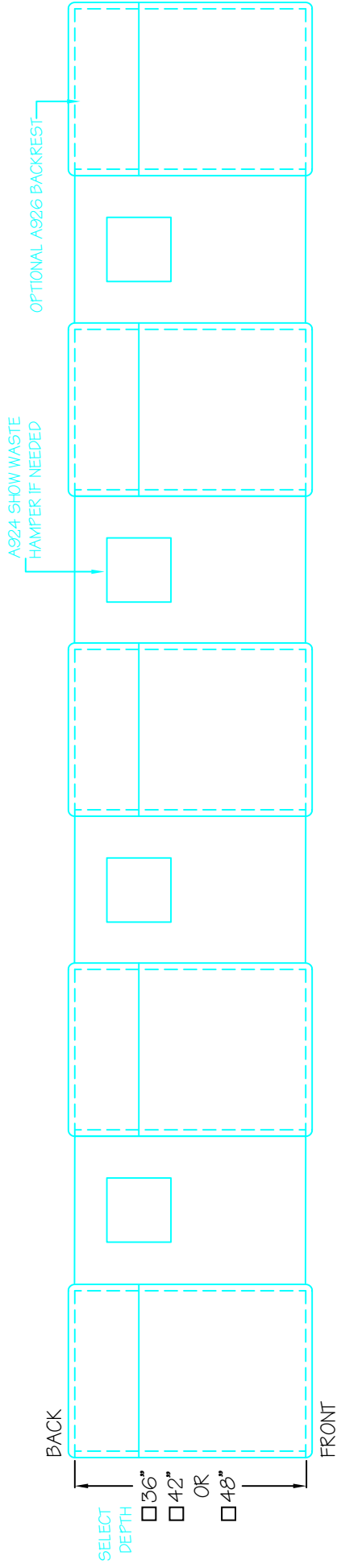
PREPARED BY:

DATE:

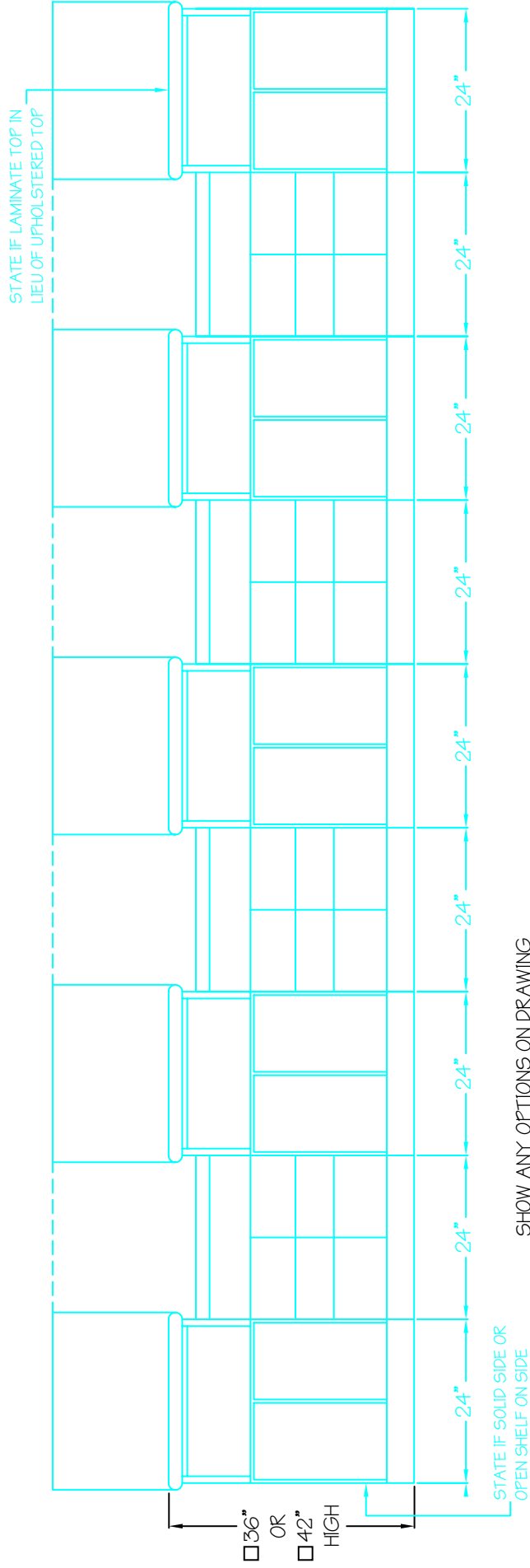
PROTEAM™
 by HAUSMANN

DWG#:

TOP VIEW:



FRONT ELEVATION VIEW:



SHOW ANY OPTIONS ON DRAWING

BASE COLOR: _____ UPHOLSTERY COLOR: _____

DEALER:

FACILITY NAME:

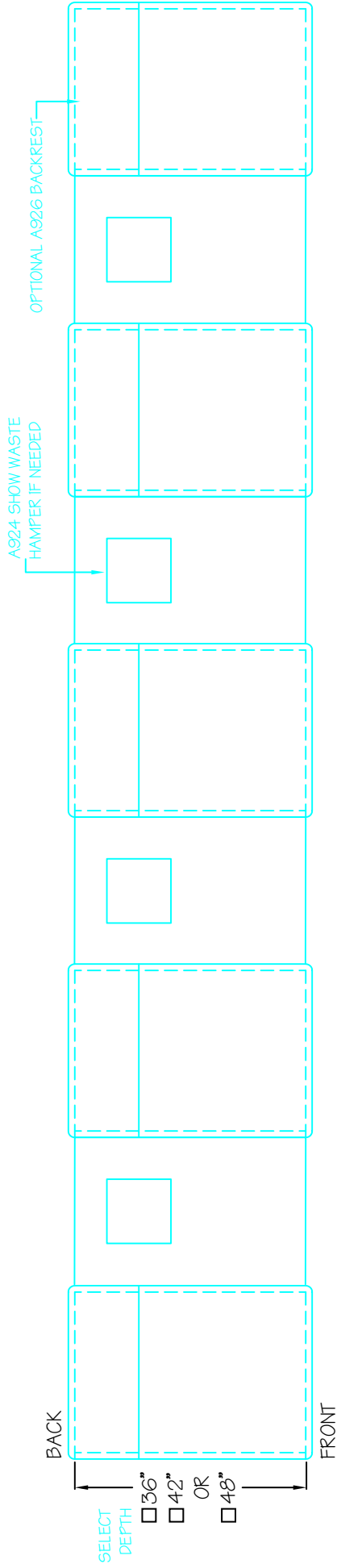
PREPARED BY:

DATE:

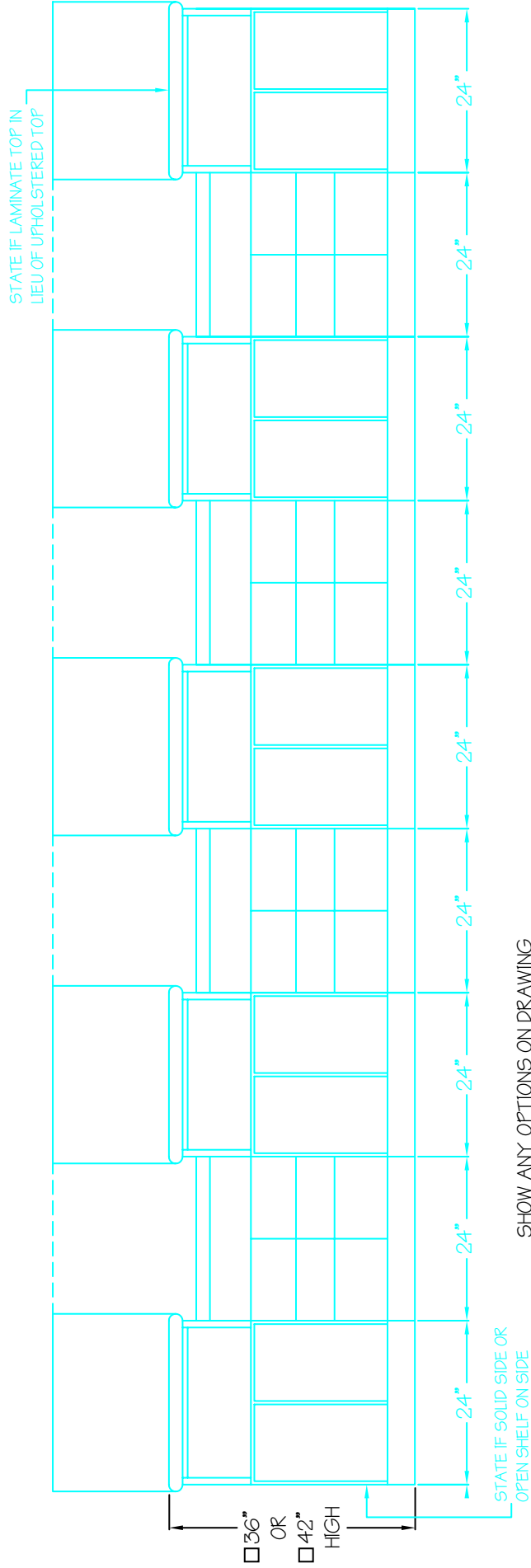
PROTEAM™
 by HAUSMANN

DWG#:

TOP VIEW:



FRONT ELEVATION VIEW:



SHOW ANY OPTIONS ON DRAWING

BASE COLOR: _____

UPHOLSTERY COLOR: _____

DEALER:

FACILITY NAME:

PREPARED BY:

DATE:

PROTEAM™
by HAUSMANN

DWG#: